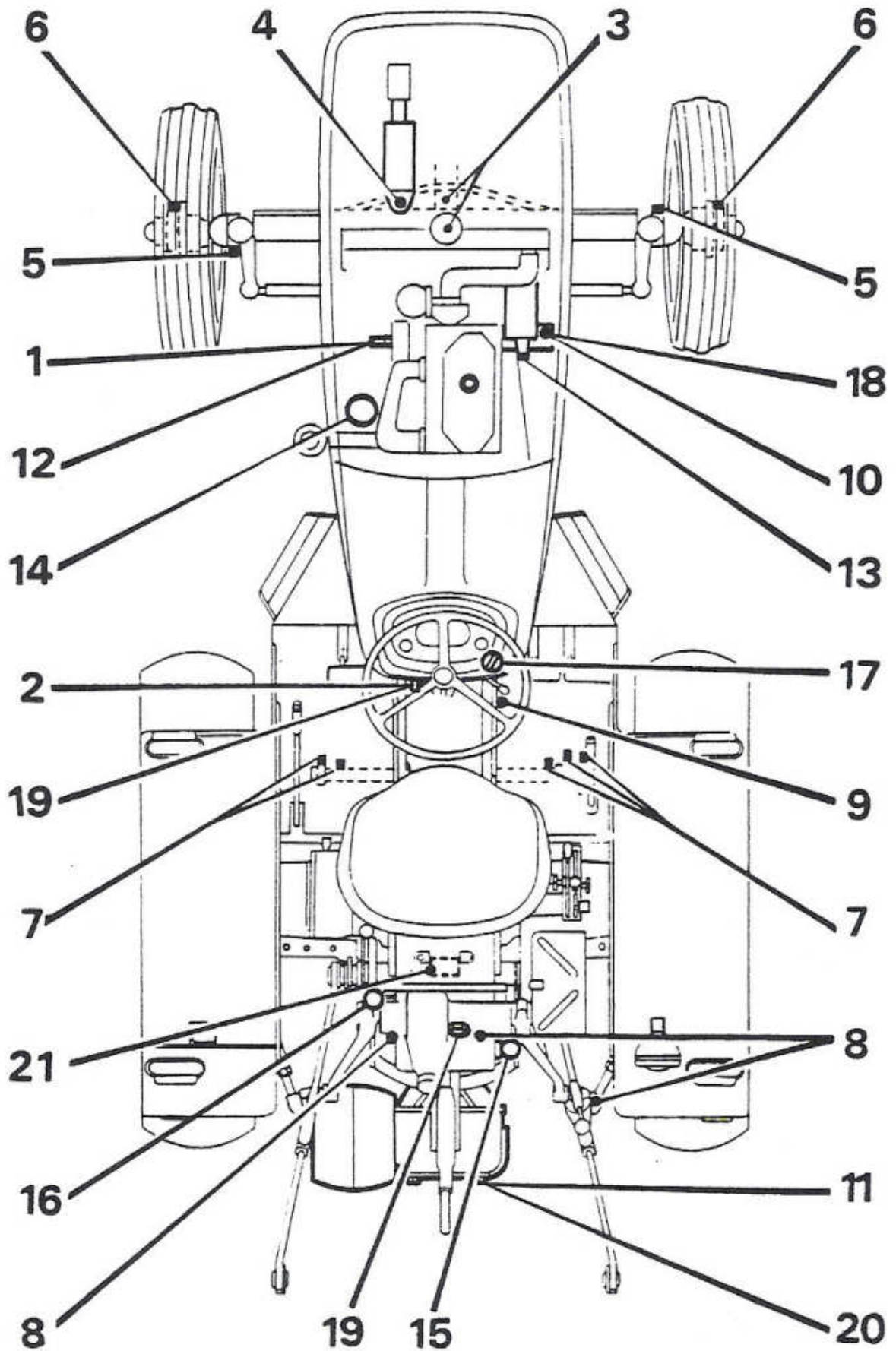


Lubrication Chart - Leyland 245 Tractor



Key to Lubrication Chart - 245

Daily every 10 hours

Check the engine oil level, top-up if necessary with new oil.

Every 50 hours

- (1) ENGINE - Check the oil level and top-up with new oil.
- (2) TRANSMISSION - Check the oil level and top-up as necessary with new oil.
- (3) STEERING (2 nipples) - Give one stroke of the grease gun (crank arm and trunnion pivots).
- (4) POWER STEERING RAM (1 nipple))
- (5) FRONT AXLE (2 nipples). Jack up to inject grease)
- (6) FRONT HUBS (1 nipple per hub)) Give each nipple two strokes
- (7) FOOT and HAND BRAKE CROSS SHAFT (5 nipples)) of the grease gun filled with
- (8) HYDRAULIC POWER UNIT CROSS-SHAFT and RIGHT) grease
HAND LIFT ROD ADJUSTMENT MECHANISM (3 nipples))
- (9) FOOT THROTTLE PIVOT (1 nipple))
- (10) POWER STEERING RESERVOIR - Check the fluid level, and top-up if necessary with new fluid.
- (11) BELT PULLEY UNIT (if fitted) - Check the oil level and top up with new oil.

Every 200 hours

- (12) ENGINE - Drain and refill with new oil.
- (13) DYNAMO (if fitted) - Add a few drops of engine oil through the hole in the commutator end bearing.

Every 400 hours

- (14) OIL FILTER - Discard the engine oil filter element, and replace it with a new one.
- (15) BY-PASS FILTER - Discard the oil filter element and fit a new one.
- (16) VALVE CHEST TO LIFT CYLINDER FILTER - Discard the oil filter element and fit a new one.

Every 800 hours

- (17) STEERING BOX (non 'Q' cab) - Check oil level, and top up if necessary.

Every 1200 hours

- (18) POWER STEERING RESERVOIR - Drain the fluid from the reservoir, discard the filter element and replace it with a new one. Refill with new fluid.
- (19) TRANSMISSION - Drain and refill with new oil.
- (20) BELT PULLEY UNIT (if fitted) - Drain and refill with new oil.
- (21) HYDRAULIC POWER UNIT - Remove the hydraulic power unit, remove and clean the oil strainer, replace strainer.

Use only recommended lubricants

Recommended Lubricants

	Engine, Transmission and Hydraulics			Steering Box	Grease Points	Power Assisted Steering
Climatic conditions	Above 27°C (80°F)	-1°C to 27°C (30°F to 80°F)	Below -1°C (30°F)	All conditions	All conditions	All conditions
Shell BP Castrol Duckhams ESSO Filtrate Mobil Sternol	TRACTOR OIL UNIVERSAL			SAE EP90 or Hypoid 90	Farm Grease Universal or Multi-Purpose Grease or Lithium Grease	ATF (Automatic Transmission Fluid)
	SAE HD 30 or SAE 20W/50	SAE HD 20W or SAE HD 20/20W or SAE 20W/50	SAE 10W or SAE HD 10W Or SAE 10W/30			

Note; The approved engine oils meet the requirements of the U.S. Ordinance Specification MIL-L-2104B