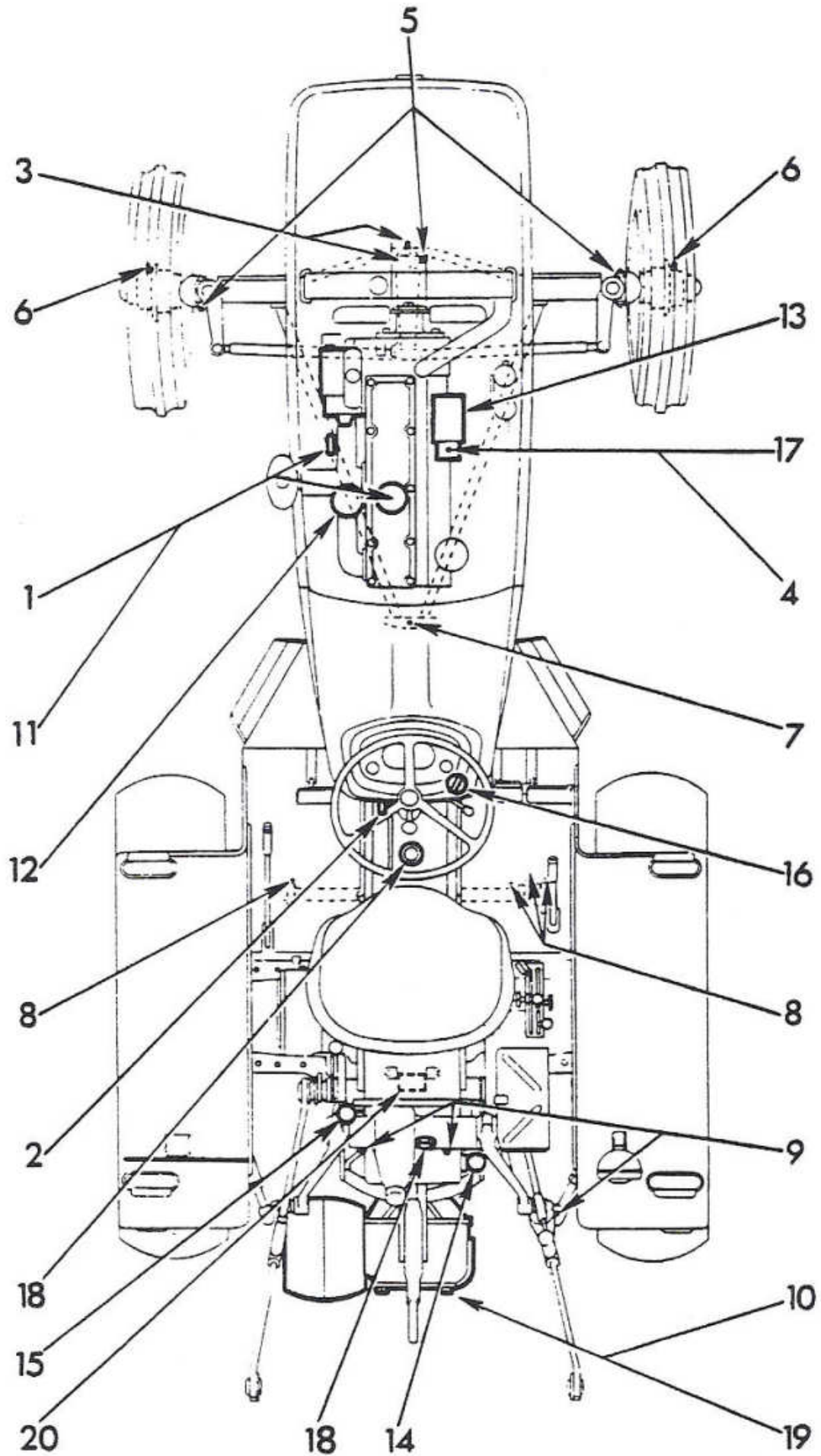


# Lubrication Chart - Leyland 262 and 272 Tractor



## Key to Lubrication Chart - 262 and 272

### Daily every 10 hours

Check the engine oil level, top-up if necessary with new oil.

### Every 50 hours

- (1) ENGINE - Check the oil level and top-up with new oil.
- (2) TRANSMISSION - Check the oil level and top-up as necessary with new oil.
- (3) STEERING (2 nipples) - Give one stroke of the grease gun (crank arm and crank arm pivot pin).
- (4) POWER STEERING RESERVOIR - Check the fluid level, and top-up if necessary with new fluid.
- (5) FRONT AXLE (3 nipples). Jack up to inject grease )
- (6) FRONT HUBS (1 nipple per hub) )
- (7) RADIUS RODS (1 nipple) ) Give each nipple two strokes
- (8) HAND BRAKE CROSS SHAFT (4 nipples) ) of the grease gun filled with
- (9) HYDRAULIC POWER UNIT CROSS-SHAFT and RIGHT ) grease.  
LIFT ROD ADJUSTMENT MECHANISM and HYDRAULIC )  
CONTROL QUADRANT (3 nipples) )
- (10) BELT PULLEY UNIT - Check the oil level and top up with new oil.

### Every 200 hours

- (11) ENGINE - Drain and refill with new oil.

### Every 400 hours

- (12) OIL FILTER - Discard the engine oil filter element, and replace it with a new one.
- (13) FUEL INJECTION PUMP (Simms Minimec, if fitted) - Drain and refill with new engine oil.
- (14) BY-PASS FILTER - Discard the oil filter element and fit a new one.
- (15) VALVE CHEST TO LIFT CYLINDER FILTER - Discard the oil filter element and fit a new one.

### Every 800 hours

- (16) STEERING BOX - Check oil level, and top up if necessary.

### Every 1200 hours

- (17) POWER STEERING RESERVOIR - Drain the fluid from the reservoir, discard the filter element and replace it with a new one. Refill with new fluid.
- (18) TRANSMISSION - Drain and refill with new oil.
- (18) BELT PULLEY UNIT (if fitted) - Drain and refill with new oil.
- (19) HYDRAULIC POWER UNIT - Remove the hydraulic power unit, remove and clean the oil strainer, replace strainer.

### Use only recommended lubricants

## Recommended Lubricants

	Engine, Transmission and Hydraulics			Steering Box	Grease Points	Power Assisted Steering
Climatic conditions	Above 27°C (80°F)	-1°C to 27°C (30°F to 80°F)	Below -1°C (30°F)	All conditions	All conditions	All conditions
Shell BP Castrol Duckhams ESSO Filtrate Mobil Sternol	TRACTOR OIL UNIVERSAL			SAE EP90 or Hypoid 90	Farm Grease Universal or Multi-Purpose Grease or Lithium Grease	ATF (Automatic Transmission Fluid)
	SAE HD 30 or SAE 20W/50	SAE HD 20W or SAE HD 20/20W or SAE 20W/50	SAE 10W or SAE HD 10W Or SAE 10W/30			

Note; The approved engine oils meet the requirements of the U.S. Ordinance Specification MIL-L-2104B