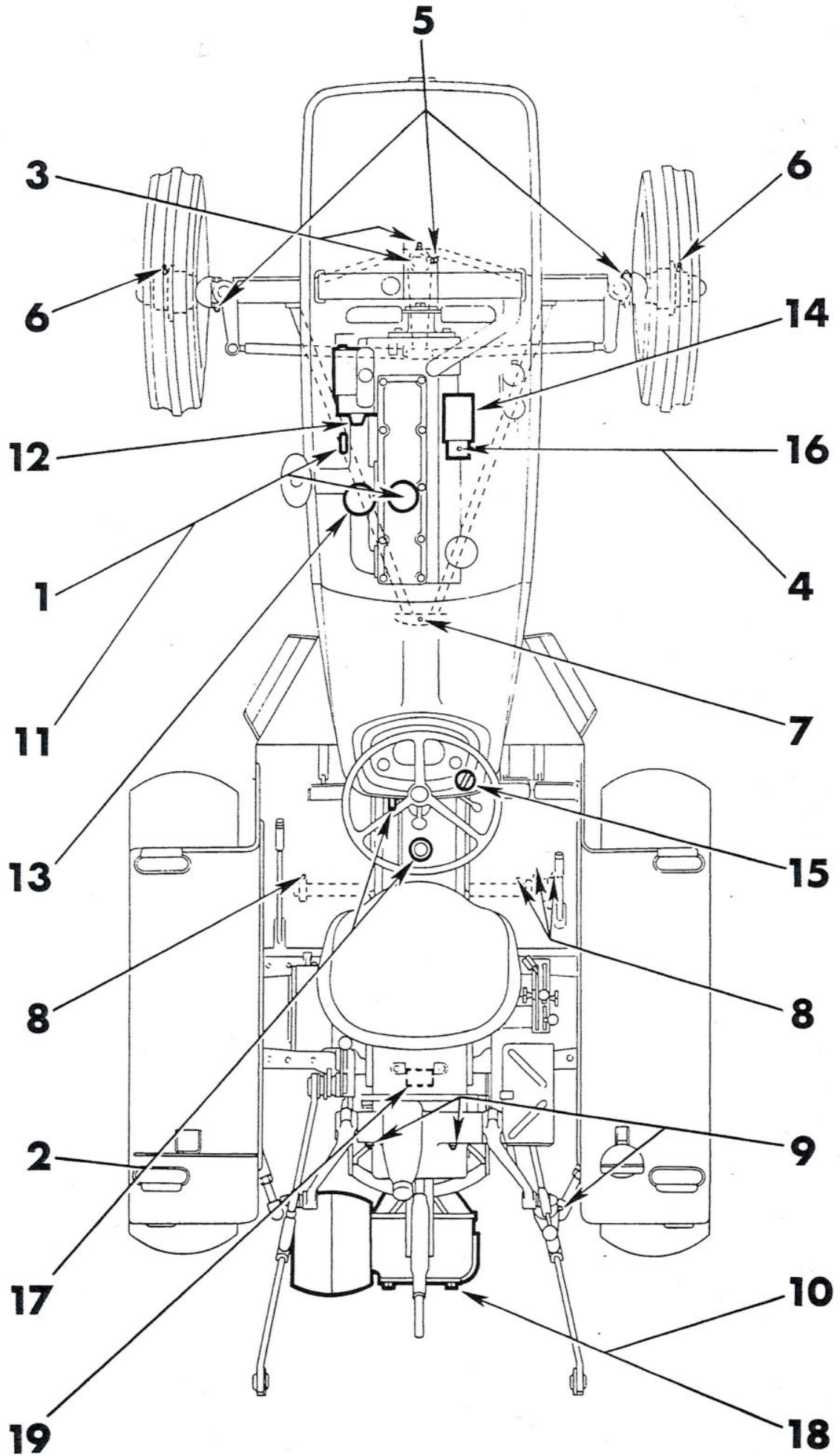


# Lubrication Chart - Leyland 344 and 384 Tractors



## Key to Lubrication Chart - 344 and 384

### **Daily every 10 hours**

Check the engine oil level, top-up if necessary with new oil.

### **Every 50 hours**

- (1) ENGINE - Check the oil level and top-up with new oil.
- (2) TRANSMISSION - Check the oil level and top-up as necessary with new oil.
- (3) STEERING (2/3 nipples) - Give one stroke of the grease gun (crank arm and crank arm pivot pin).
- (4) POWER STEERING RESERVOIR - Check the fluid level, and top-up if necessary with new fluid.
- (5) FRONT AXLE (3 nipples). Jack up to inject grease )
- (6) FRONT HUBS (1 nipple per hub) ) Give each nipple two strokes
- (7) RADIUS RODS (1 nipple) ) of the grease gun filled with
- (8) FOOT and HAND BRAKE CROSS SHAFT (4 nipples) ) grease.
- (9) HYDRAULIC POWER UNIT CROSS-SHAFT and RIGHT )
- (9) LIFT ROD ADJUSTMENT MECHANISM (3 nipples) )
- (10) BELT PULLEY UNIT - Check the oil level and top up with new oil.

### **Every 200 hours**

- (11) ENGINE - Drain and refill with new oil.
- (12) DYNAMO - Add a few drops of engine oil through the hole in the commutator end bearing.

### **Every 400 hours**

- (13) OIL FILTER - Discard the engine oil filter element, and replace it with a new one.
- (14) FUEL INJECTION PUMP - Drain and refill with new engine oil.

### **Every 800 hours**

- (15) STEERING BOX - Check oil level, and top up if necessary.

### **Every 1200 hours**

- (16) POWER STEERING RESERVOIR - Drain the fluid from the reservoir, discard the filter element and replace it with a new one. Refill with new fluid.
- (17) TRANSMISSION - Drain and refill with new oil.
- (18) BELT PULLEY UNIT - Drain and refill with new oil.
- (19) HYDRAULIC POWER UNIT - Remove the hydraulic power unit, remove and clean the oil strainer, replace strainer.

### **Use only recommended lubricants**

## Recommended Lubricants

	Engine , Transmission and Hydraulics			Steering Box	Grease Points	Power Assisted Steering
Climatic conditions	Above 32°C (90°F)	32°C to -7°C (90°F to 20°F)	Below -7°C (20°F)	All conditions	All conditions	All conditions
Shell BP Castrol Duckhams ESSO Filtrate Mobil Sternal	TRACTOR OIL UNIVERSAL			SAE EP90 or Hypoid 90	Farm Grease Universal or Multi-Purpose Grease or Lithium Grease	ATF (Automatic Transmission Fluid)
	SAE HD 30 or SAE 20W/30	SAE HD 20W or SAE HD 20/20W or SAE 20W/50	SAE 10W or SAE HD 10W Or SAE 10W/30			