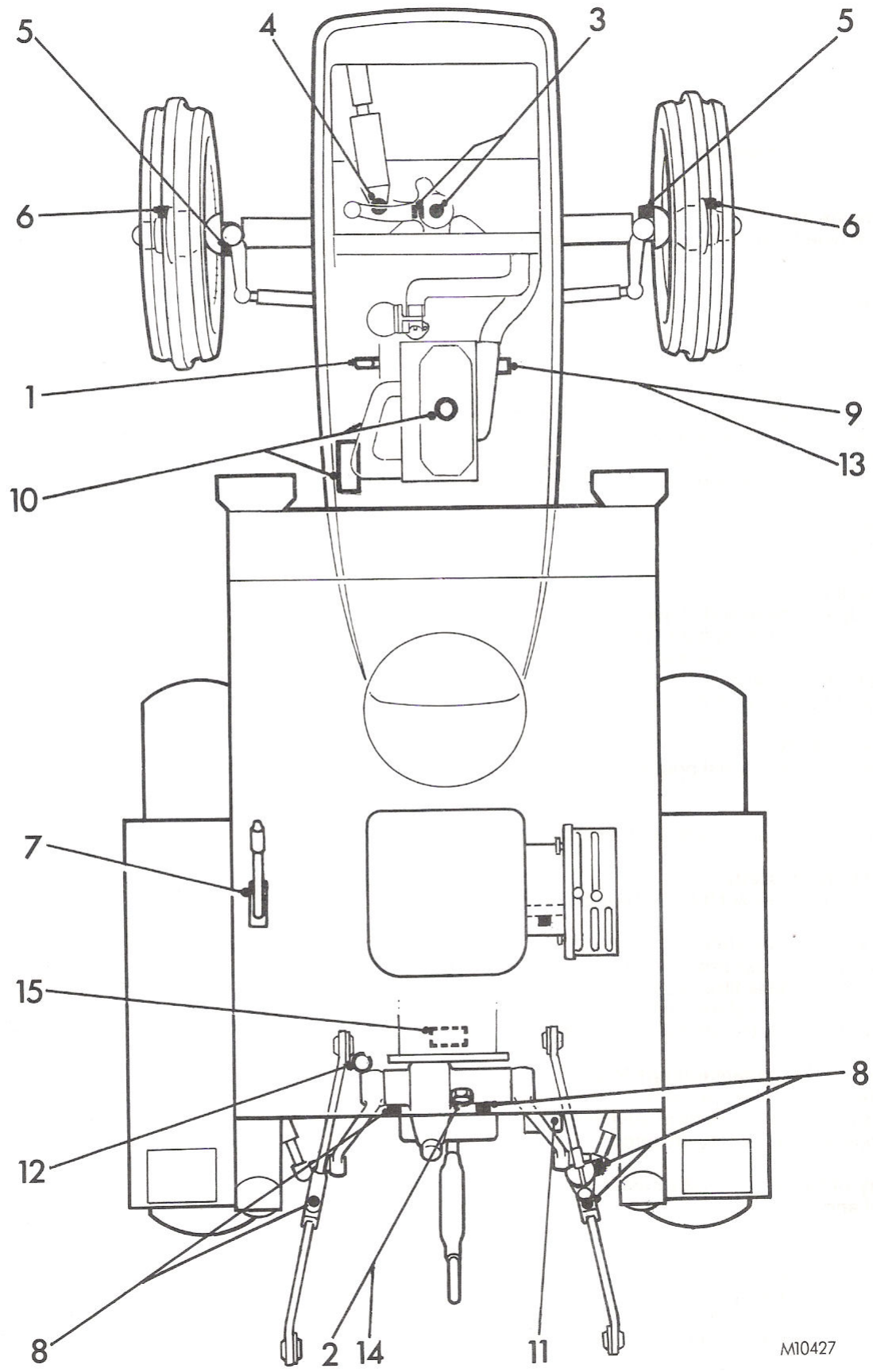


LUBRICATION CHART — 502 — QM CAB



M10427

## Key to Lubrication Chart - 502 - QM Cab

### Daily every 10 hours

Check the engine oil level, top-up if necessary with new oil.

### Every 50 hours

- (1) ENGINE - Check the oil level and top-up with new oil
- (2) TRANSMISSION - Top-up with new oil
- (3) STEERING (2 nipples) - Give one stroke of the grease gun (crank arm and trunnion pivots)
- (4) POWER STEERING RAM - (1 nipple) )
- (5) FRONT AXLE (2 nipples) )
- (6) FRONT HUBS (1 nipple per hub) ) Give each nipple two strokes
- (7) P.T.O. CLUTCH HAND LEVER PIVOT (1 nipple) ) of the grease gun
- (8) HYDRAULIC POWER UNIT CROSS-SHAFT, LIFT RODS )
- AND ADJUSTMENTS MECHANISM (5 nipples) )
- (9) POWER STEERING RESERVOIR - Check the oil level, and top-up if necessary with new oil.

### Every 400 hours

- (10) ENGINE OIL AND FILTER - Drain the engine oil, fit a new engine oil filter element, refill with new engine oil.
- (11) BY-PASS FILTER - Remove the filter element and fit a new one.
- (12) VALVE CHEST TO CYLINDER FILTER - Remove the filter element and fit a new one.

### Every 1200 hours

- (13) POWER STEERING RESERVOIR - Drain the oil from the reservoir, discard the filter element and fit a new element. Refill with new oil.
- (14) TRANSMISSION - Drain and refill with new oil (combine with operation 15).
- (15) HYDRAULIC POWER UNIT - Remove the hydraulic power unit, remove, clean and refit the strainer.

### Use only recommended lubricants