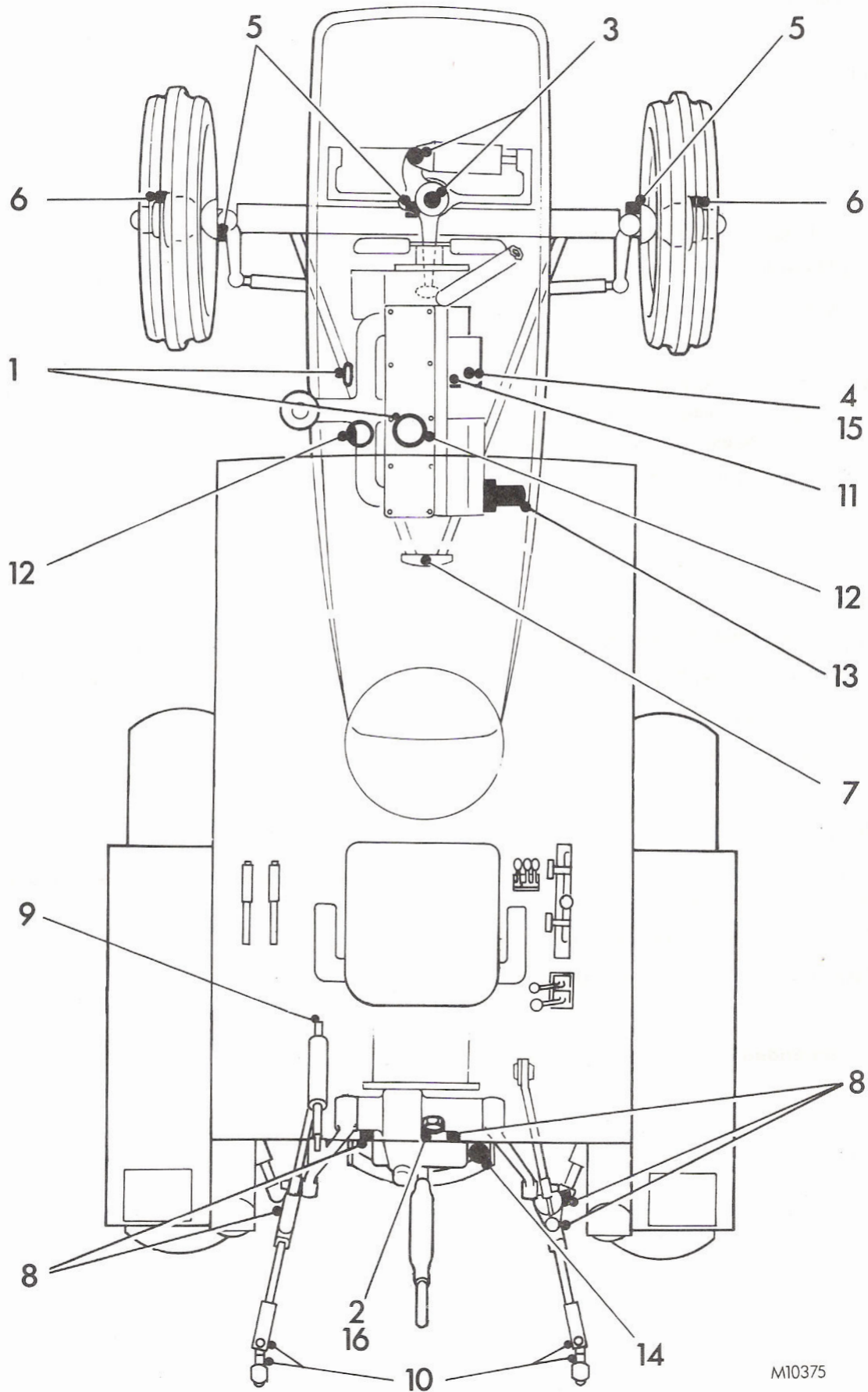


LUBRICATION CHART — 602/702/802 — EXPLORER CAB



M10375

Key to Lubrication Chart - 602 / 702 / 802 - Explorer Cab

Daily every 10 hours

Check the engine oil level, top-up if necessary with new oil.

Every 50 hours

- (1) ENGINE - Check the oil level and top-up with new oil
- (2) TRANSMISSION - Top-up with new oil
- (3) STEERING (2 nipples) - Give one stroke of the grease gun (crank arm and crank arm pivot pin).
- (4) POWER STEERING RESERVOIR - Check the fluid level, and top-up if necessary with new fluid.
- (5) FRONT AXLE (3 nipples). Jack up to inject grease)
- (6) FRONT HUBS (1 nipple per hub))
- (7) RADIUS RODS (1 nipple)) Give each nipple two strokes
- (8) HYDRAULIC POWER UNIT CROSS-SHAFT, RIGHT) of the grease gun
AND LEFT HAND LIFT RODS AND LIFT LINK)
LEVELLING MECHANISM (5 nipples))
- (9) HYDRAULIC LIFT ASSISTOR CYLINDER (1 nipple) (if fitted). Lower end give one stroke of the grease gun.
- (10) EASY-CONNECT LOWER LINKS (4 nipples) - if fitted. Give one stroke of the grease gun.

Every 400 hours

- (11) FUEL INJECTION PUMP - (Simms Minimec only). Drain and refill with new engine oil.
- (12) ENGINE OIL AND FILTER - Drain the engine oil, fit a new engine oil filter element, refill with new engine oil.
- (13) HYDRAULIC SUCTION FILTER - Remove, clean and refit the filter element.
- (14) HYDRAULIC HIGH PRESSURE FILTER - Remove the filter element and fit a new one.

Every 1200 hours

- (15) POWER STEERING RESERVOIR - Drain the fluid from the reservoir, discard the filter element and fit a new element. Refill with new fluid.
- (16) TRANSMISSION - Drain and refill with new oil.

Use only recommended lubricants