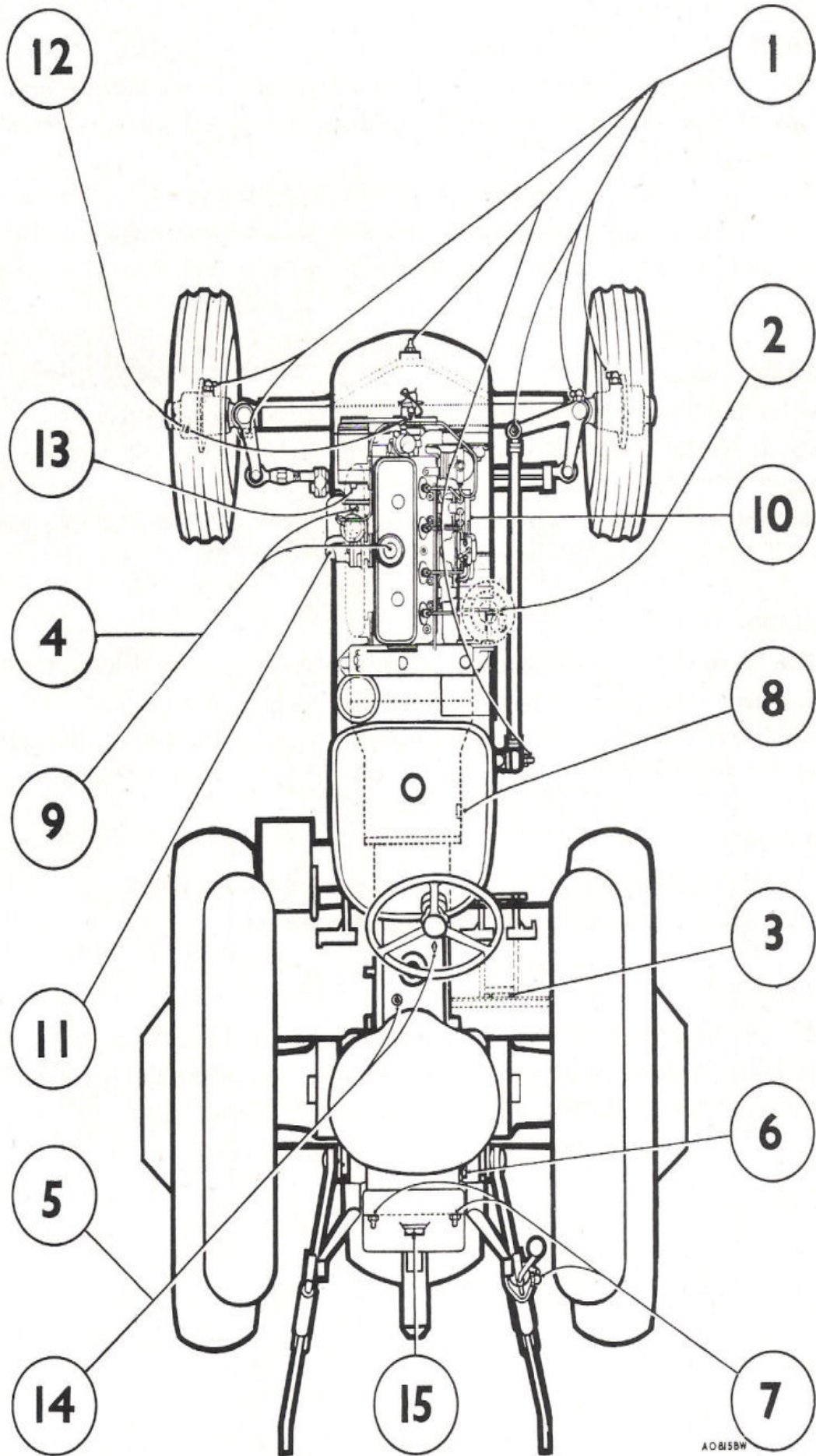


NUFFIELD UNIVERSAL FOUR TRACTOR LUBRICATION CHART



Key to Lubrication Chart

Universal Four Tractor

Every 10 Hours

1. **Front axle** - Apply the grease gun filled with grease and give two strokes to each nipple.
2. **Air Cleaner** - Check the level and condition of the oil bath, replenish or change as necessary.
3. **Hand Brake** - Apply the grease gun filled with grease to the nipple on the brake pedal cross-shaft lever.
4. **Engine** - Inspect the level of the engine oil by the dipstick, replenish if necessary with an approved oil.
5. **Transmission** - Inspect the level of the transmission oil by the dipstick, replenish if necessary with an approved oil.

Every 50 Hours

6. **Hydraulic Power Unit** - Remove the magnetic filter, clean thoroughly and replace.
7. **Hydraulic Power Unit Cross-Shaft** - Apply the grease gun filled with grease and give two strokes to each nipple.

Linkage and Controls - Apply the grease gun filled with grease to the following points; foot brakes, hand brake, clutch mechanism, radiator shutters and throttle control.

Every 200 Hours

8. **Steering** - Inspect the level of the steering box oil and replenish if necessary with an approved oil.
9. **Engine** - Drain the old oil from the engine sump and refill with approved oil.
10. **Fuel Injection Pump** - Drain the old oil and refill with fresh approved oil.

Every 400 Hours

11. **Oil Filter** - Remove the engine oil filter element and fit a new one.
12. **Water Pump** - Apply the oil gun filled with oil and give two shots.

Every 1000 Hours

13. **Dynamo** - Add two drops of engine oil to the lubricating hole in the rear end of the dynamo.
14. **Transmission** - Drain the old oil from the transmission and refill with an approved oil.
15. **Hydraulic Power Unit** - Remove and clean the pump suction filter.

Recommended Lubricants

	Diesel Engine			Steering Transmission and Hydraulics	Grease Points	Power Assisted Steering
Climatic conditions	Above 32°C (90°F)	32°C to -7°C (90°F to 20°F)	Below -7°C (20°F)	All conditions	All conditions	Above - 12°C
Shell BP Castrol Duckhams ESSO Filtrate Mobil Sternol	TRACTOR OIL UNIVERSAL			Gear Oil 90	Farm Grease Universal or Multi-Purpose Grease or Lithium Grease	HD 10 or 10W
	SAE HD 30 or SAE 20W/30	SAE HD 20W or SAE HD 20/20W or SAE 20W/50	SAE 10W or SAE HD 10W Or SAE 10W/30			Below - 12°C
						SAE 5W or Motor Oil 5W/20